

JUST LIFT

JL 150 Compact crane

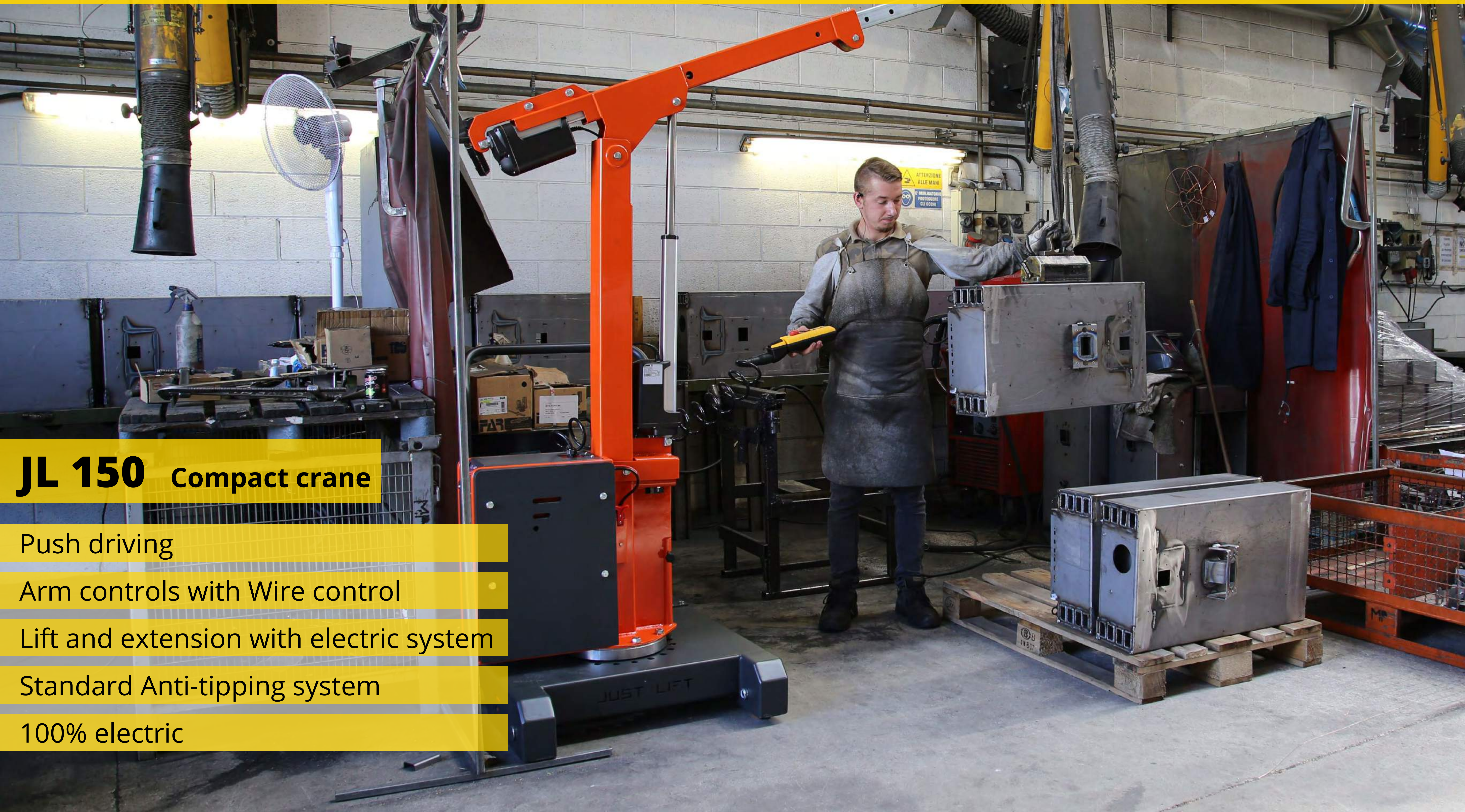
Push driving

Arm controls with Wire control

Lift and extension with electric system

Standard Anti-tipping system

100% electric



JL 150



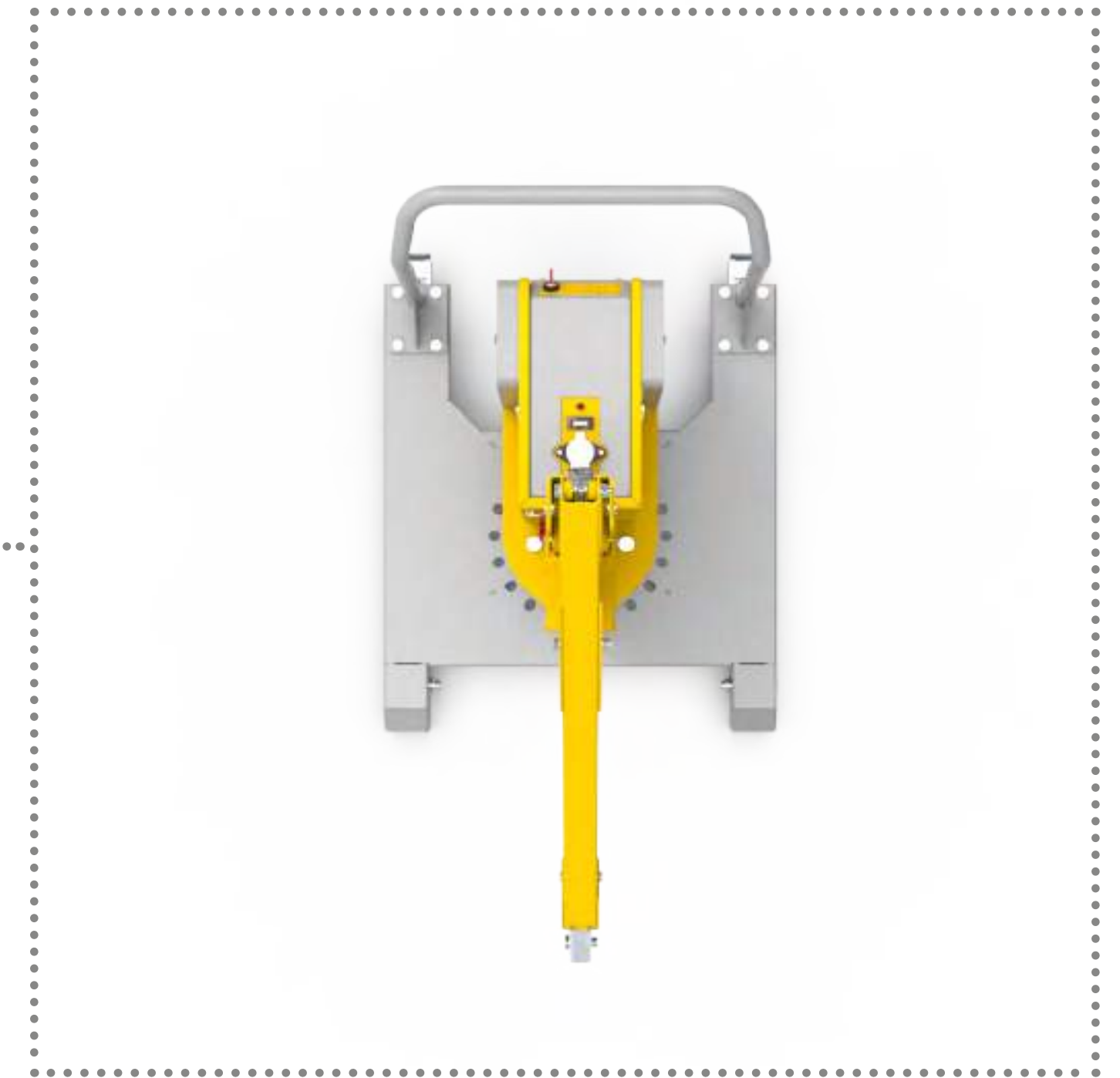
👁 **Front**

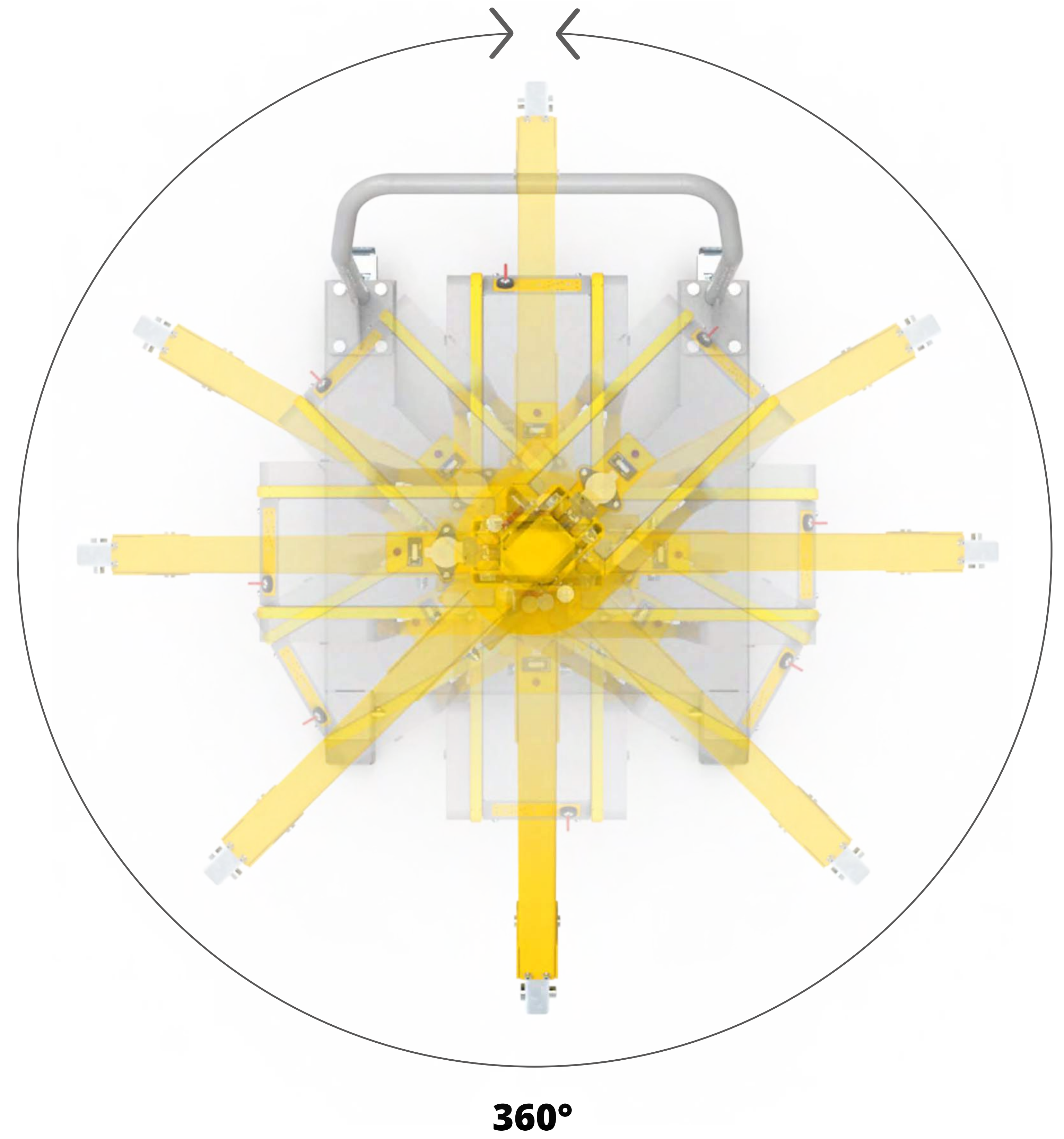
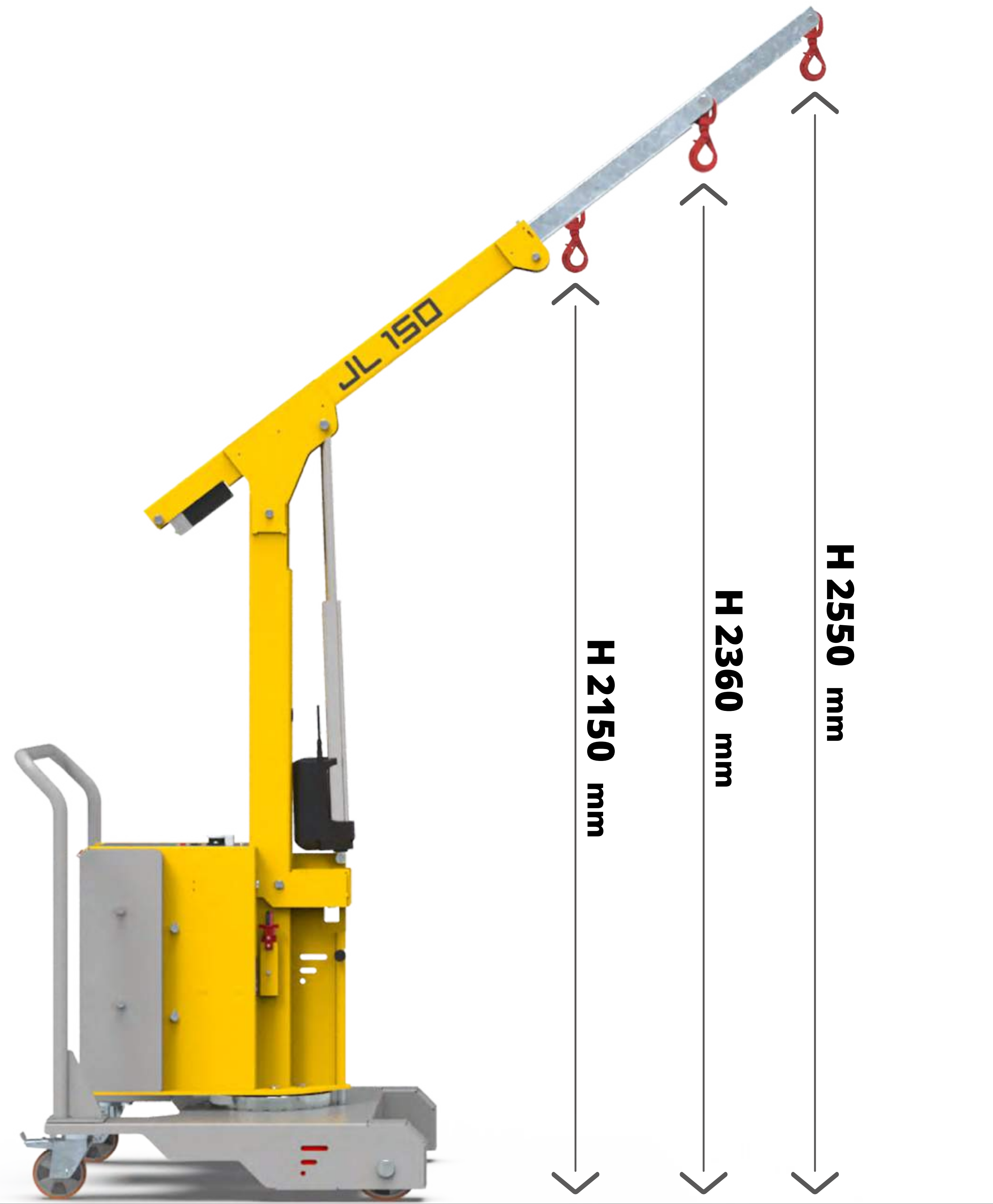


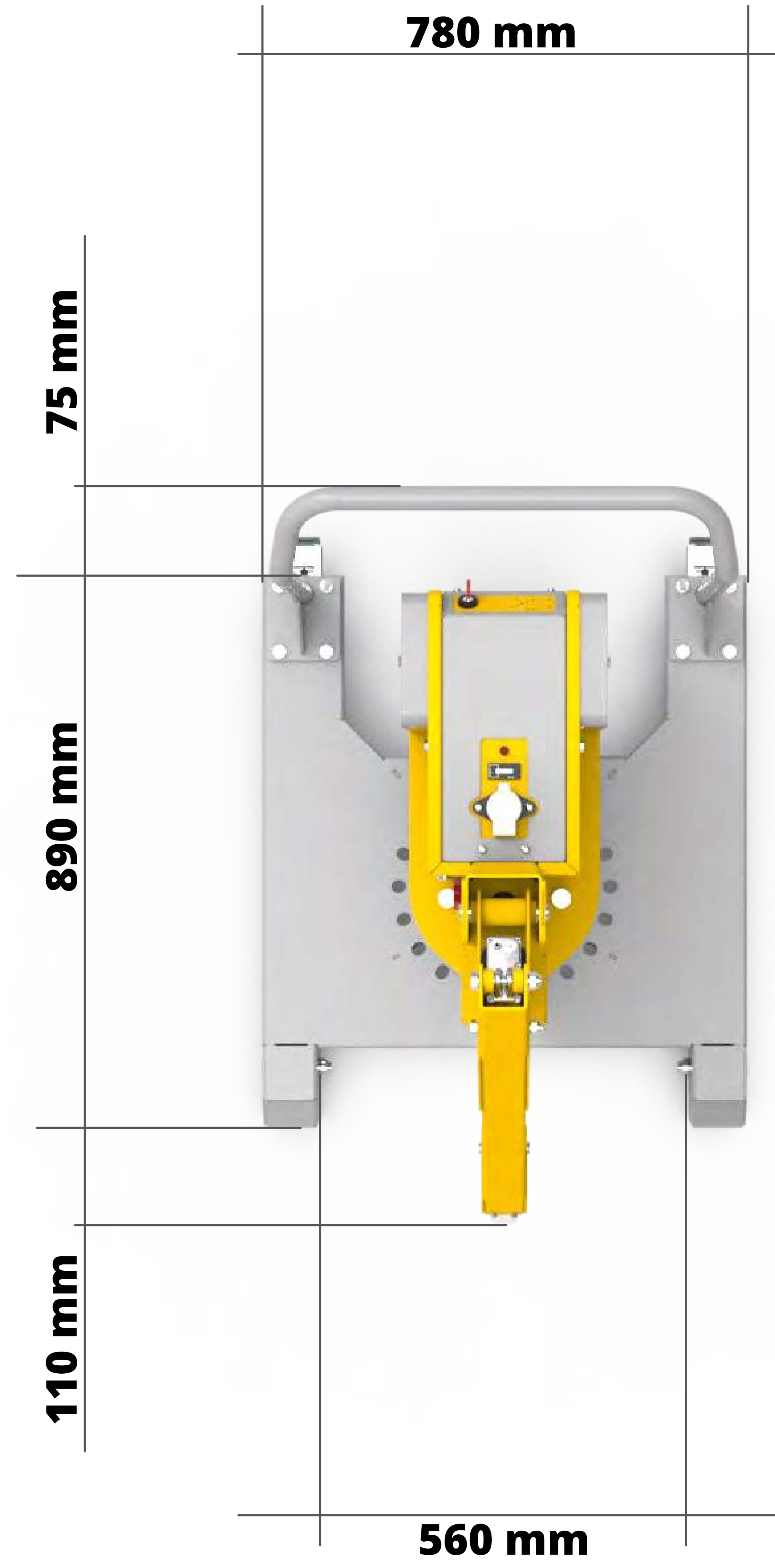
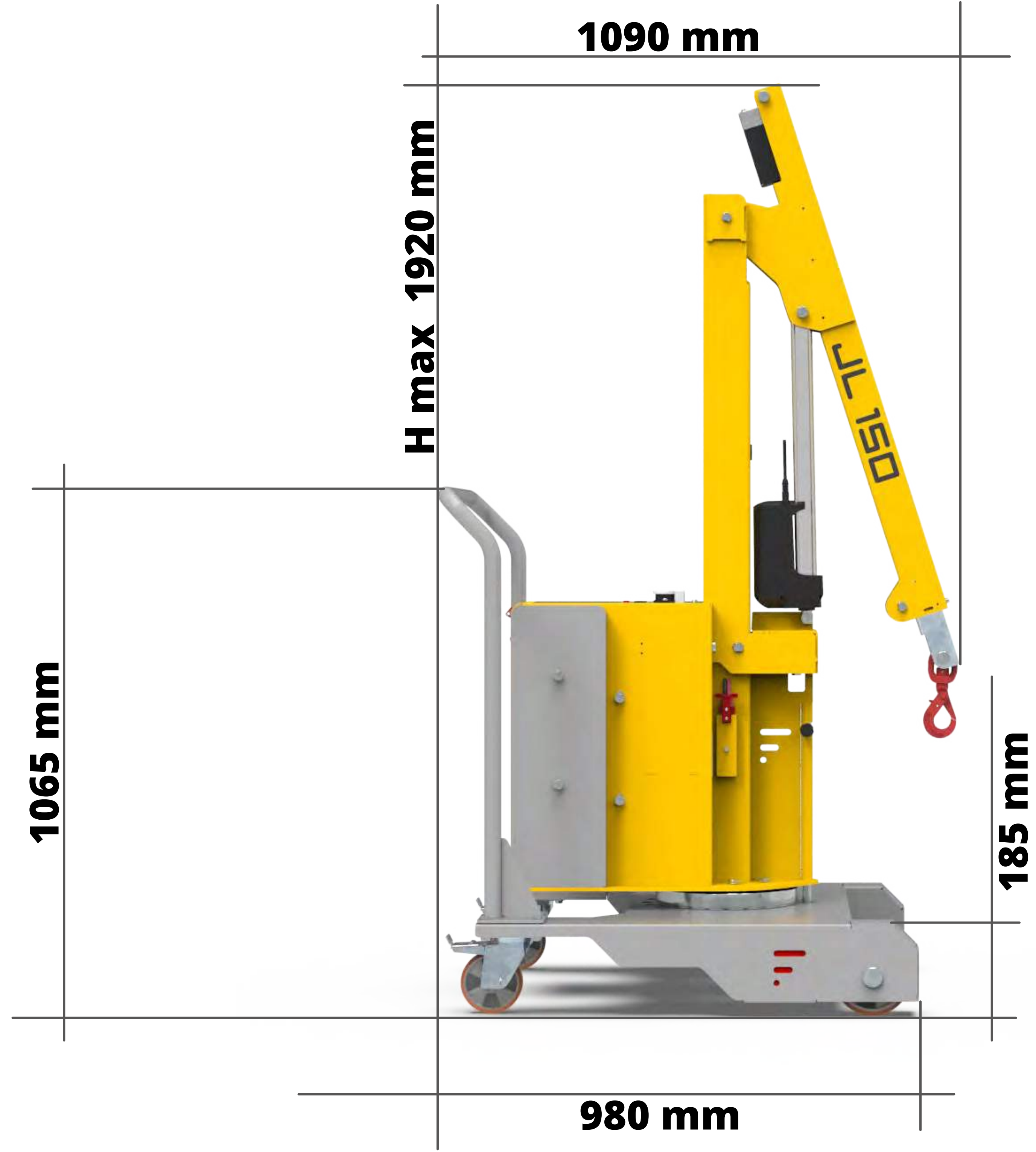
👁 **Side**

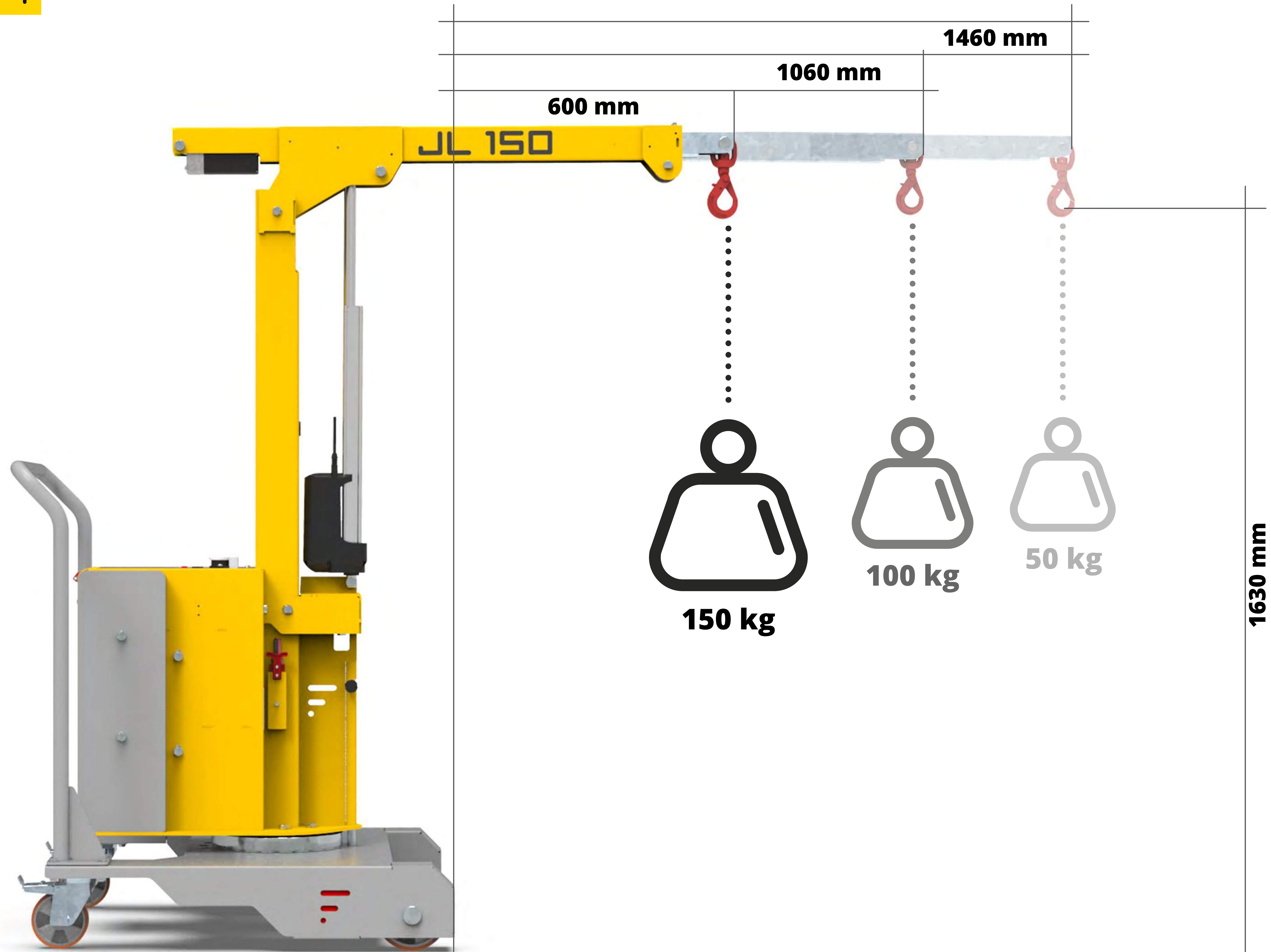


👁 **Top**









Wire control

*fitted as standard

The wire control allows you to lift the load with one hand and maneuver it to the correct position with the other.

Its ergonomic design allows you to work many hours without tiring your hand.

The structure is shock resistant in case of falls of less than one meter from the ground.

The push-button panel allows the 4 movements of the arm, the horn and the emergency stop in case of need.





JUST LIFT

Just Lift srl - Via Palazzina 1, Sarcedo
36030 (VI) - Italia

Contacts:

sales@just-lift.com
+39 0445 366785

Web site:

www.just-lift.com

